

ACCUREF K-900/R-800

SPECIFICATIONS			K-900	R-800
Refractive measurement range (Ref measurement)	Sphere (S)	Measurement range	-30D~+22D (VD=12) -22D~+30D (VD=0)	-30D~+22D (VD=12) -22D~+30D (VD=0)
		Unit	0.12D, 0.25D (Switching)	0.12D, 0.25D (Switching)
	Cylinder (C)	Measurement range	0D~±10D (VD=0)	0D~±10D (VD=0)
		Unit	0.12D, 0.25D (Switching)	0.12D, 0.25D (Switching)
		symbol	-, +, ± (Switching)	-, +, ± (Switching)
	Axis (A)	Measurement range	0°~180°	0°~180°
Unit		1°	1°	
Vertex distance			0, 10, 12, 13.5, 15mm	0, 10, 12, 13.5, 15mm
Minimum pupil diameter measurable			φ2.0mm	φ2.0mm
Corneal curvature radius measurement	Corneal curvature radius	Measurement range	5.0mm~10.0mm	—
		Unit	0.01mm	—
	Corneal refractivity	Measurement range	33.75D~67.5D (where corneal refractive index n=1.3375)	—
		Unit	0.12D, 0.25D (Switching)	—
	Degree of corneal astigmatism	Measurement range	0D~±10D	—
		Unit	0.12D, 0.25D (Switching)	—
		symbol	mm, -D, +D (Switching)	—
	Axis angle	Measurement range	0°~180°	—
Unit		1°	—	
PD measurement			85mm(Near PD output)	85mm(Near PD output)
Pupil diameter measurement	Measurement range		φ2.0mm~φ8.5mm	φ2.0mm~φ8.5mm
	Unit		0.1mm	0.1mm
Measurement time	Refractive measurement range		Approx. 0.07sec.	Approx. 0.07sec.
	Corneal curvature radius measurement		Approx. 0.07sec.	—
Fog control		Fogging for each measurement (Auto) Fogging is provided at the first measurement followed by continuous measurement (Auto-Quick)		

MECHANICAL SPECIFICATIONS

Size	(W) 240mm (D) 422mm (H) 430mm
Movement range of the measurement unit	Forward/backward ±22mm Horizontal direction ±43mm Vertical direction ±17mm
Movement range of the chin rest	vertical ±30mm
Movement range of LCD	+30°swivel (left only), +40°tilt
Weight	approx. 13kg

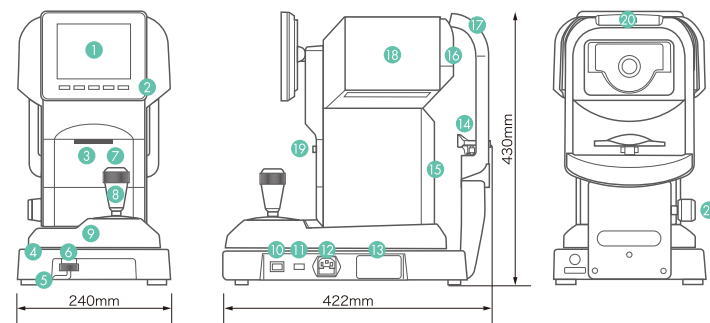
※ Common to K-900/R-800

ELECTRICAL SPECIFICATIONS

Built-in monitor body	5.7 inch color LCD monitor
Printer	thermal line printer (paper width 58mm)
Power voltage/frequency	AC100V-240V, 50/60Hz
Power consumption	60VA
Power saving function	OFF, 3, 5, 10min. (selectable)

※ Common to K-900/R-800

External diagram (to scale) and Part Identification



- | | |
|-------------------------------|------------------------------------|
| 1 LCD monitor | 11 RS-232C connector |
| 2 Touch sensor panel | 12 Power plug connector |
| 3 Printer cover | 13 Rating plate |
| 4 Base | 14 Chin rest |
| 5 Rubber feet | 15 Body cover |
| 6 Main unit sliding lock knob | 16 Face panel |
| 7 Measurement start switch | 17 Head rest |
| 8 Joystick | 18 Head cover |
| 9 Sliding base cover | 19 Printer cover open/close button |
| 10 Power switch | 20 Rubber head rest |
| | 21 Chin rest knob |

Manufacturer

Rexxam
Rexxam Co.,Ltd.

Kagawa factory
958, Ikeuchi, Konan-cho,
Takamatsu, Kagawa 761-1494, Japan



Distributed by

AJINOMOTO
AJINOMOTO TRADING, INC.

SHIN-NIPPON Medical & Ophthalmic Instruments Dept.
EAST WING 7F, TFT BUILDING, 3-6-11 ARIAKE, KOTO-KU,
TOKYO 135-8071, JAPAN
TEL: 813-3528-4416 FAX: 813-3528-4426
http://www.shin-nippon.jp
http://www.ajitrade.com



Printed in Japan I-110701

ACCUREF K-900/R-800

**NEW
MODEL**



Cool design & User friendly!
This is new "SHIN-NIPPON" standard.

Auto Ref-Keratometer/Refractometer

ACCUREF

K-900/R-800